

Liquid Filled Gauges-Crimped Ring Stainless Steel Cases 2",2 1/2" and 4"

LF251



LF251U

LF251F

CASE & RING: 2 1/2" type 304 stainless steel case with polished stainless steel crimped ring.
DIAL: ABS, white with black and red markings.(psi & kPa)
WINDOW: Clear acrylic.
TUBE: Phosphor Bronze to 6000psi, 316SS to 10,000psi.
SOCKET: Brass with push-in restrictor.
POINTER: Black anodized aluminum.
MOVEMENT: Brass.
ACCURACY: $\pm 1.6\%$ of span.
CONNECTION: 1/4" NPT bottom or center back.
RANGES: Vacuum, Compound, Pressure to 10,000 psi.

PANEL MOUNTING VARIATIONS

U-CLAMP: Series LF251U

FRONT FLANGE: Series LF251F

LF252



CASE & RING: 2 1/2" type 304 stainless steel case with polished stainless steel crimped ring.
DIAL: ABS, white with black and red markings.(psi & kPa)
WINDOW: Clear acrylic.
TUBE: Type 316 Stainless Steel .
SOCKET:Type 316 Stainless Steel with threaded restrictor.
POINTER: Black anodized aluminum.
MOVEMENT: Stainless Steel.
ACCURACY: $\pm 1.6\%$ of span.
CONNECTION: 1/4" NPT bottom or center back.
RANGES: Vacuum, Compound, Pressure to 10,000 psi.

PANEL MOUNTING VARIATIONS

U-CLAMP: Series LF252U

FRONT FLANGE: Series LF252F

LF201

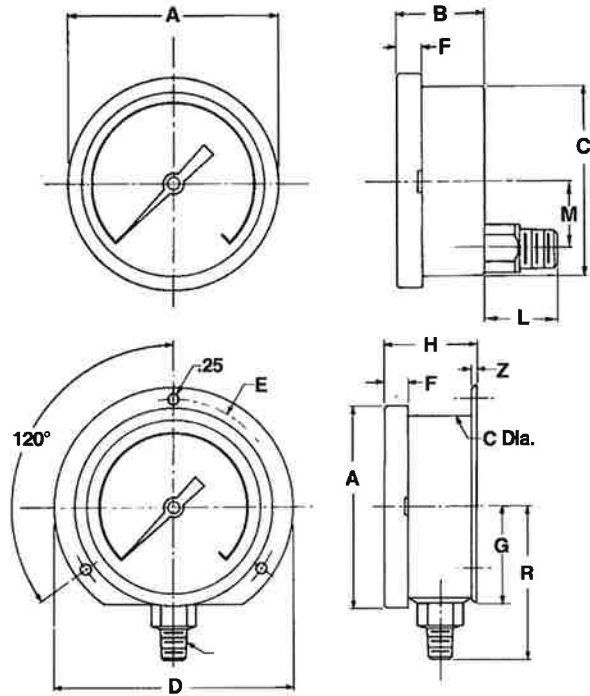


CASE & RING: 2" type 304 stainless steel case with polished stainless steel crimped ring.
DIAL: ABS, white with black and red markings.(psi & kPa)
WINDOW: Clear acrylic.
TUBE: Phosphor Bronze
SOCKET:Brass with push-in restrictor.
POINTER: Black anodized aluminum.
MOVEMENT: Brass.
ACCURACY: $\pm 1.6\%$ of span.
CONNECTION: 1/8" NPT bottom or center back.
RANGES: 0-30, 60, 100, 200, 300, 600, 1,000, 3,000, 6,000 psi.

PANEL MOUNTING VARIATIONS

U-CLAMP: Series LF201U

Case Dimensions LF & NF6



LOWER BACK CONNECTION

SERIES		A	B	C	F	M	L	NPT
LF601 NF601	INCH	6.31	2.0	5.9	.57	2.0	1.68	1/4" or
LF602 NF602	MM	160	50.8	150	14.5	50.8	42.6	1/2"

BACK FLANGE - LOWER CONNECTION

SERIES		A	C	D	E	F	G	H	R	Z	NPT
LF601BF NF601BF	INCH	6.31	5.9	7.50	6.84	.57	3.33	2.13	4.5	.21	1/4" or
LF602BF NF602BF	MM	160	150	191	174	14.5	85	54	114	5.3	1/2"

Standard Ranges

PRESSURE - Series LF & NF25

Range	Figure interval	Minor graduation
0-15	3	0.5
0-30	5	1.0
0-60	10	2.0
0-100	20	2.0
0-160	20	2.0
0-200	25	5.0
0-300	50	10.0
0-400	50	10.0
0-600	100	10.0
0-1000	200	20.0
0-1500	250	50.0
0-2000	250	50.0
0-3000	500	100.0
0-5000	1000	100.0
0-6000	1000	100.0
0-10,000	2000	200.0

COMPOUND

Range	Figure interval		Minor graduation	
	in Hg	psi	in Hg	psi
30"Hg-30psi	10	5	2	1
30"Hg-60psi	10	10	2	2
30"Hg-100psi	30	20	5	2
30"Hg-150psi	30	25	5	5
30"Hg-200psi	30	20	5	5
30"Hg-300psi	30	50	10	5

VACUUM

Range	Figure interval	Minor graduation
0-30"Hg	5"Hg	1"Hg

PRESSURE - Series LF & NF4 and LF & NF6

Range	Figure interval	Minor graduation
0-15	3	0.5
0-30	5	1.0
0-60	10	2.0
0-100	20	2.0
0-160	20	2.0
0-200	25	5.0
0-300	50	10.0
0-400	50	10.0
0-600	100	10.0
0-1000	200	20.0
0-1500	250	50.0
0-2000	250	50.0
0-3000	500	100.0
0-5000	1000	100.0
0-10,000	1000	100.0
0-15,000	2000	200.0
0-20,000	2000	200.0

COMPOUND

Range	Figure interval		Minor graduation	
	in Hg	psi	in Hg	psi
30"Hg-30psi	10	5	2	1
30"Hg-60psi	10	10	2	2
30"Hg-100psi	30	20	5	2
30"Hg-150psi	30	25	5	5
30"Hg-200psi	30	20	5	5

VACUUM

Range	Figure interval	Minor graduation
0-30"Hg	5"Hg	0.5"Hg